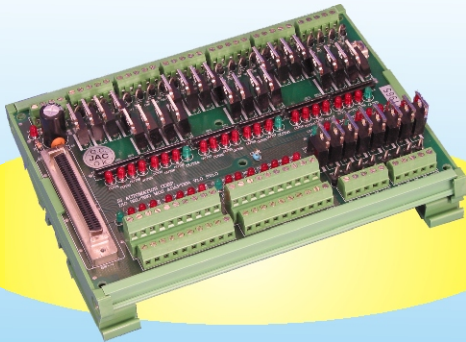




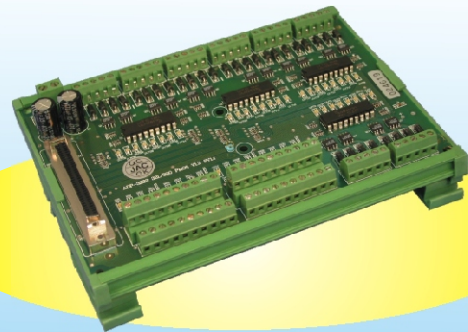
# Bridging the Gap between Real World and Computer

## DIO-3232/2232 Wiring Board

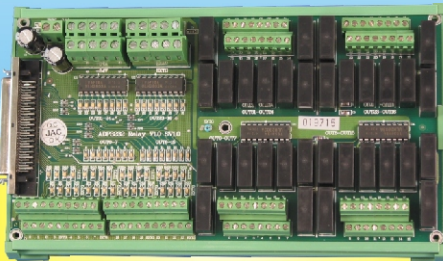
**DIO-3232DIN(N) CE**



**DIO-3232DIN(P) CE**



**DIO-3232DIN(R) CE**



### Pin Assignments

|        |           |           |        |
|--------|-----------|-----------|--------|
| IN0    | <b>1</b>  | <b>35</b> | IN1    |
| IN2    | <b>2</b>  | <b>36</b> | IN3    |
| IN4    | <b>3</b>  | <b>37</b> | IN5    |
| IN6    | <b>4</b>  | <b>38</b> | IN7    |
| IN8    | <b>5</b>  | <b>39</b> | IN9    |
| IN10   | <b>6</b>  | <b>40</b> | IN11   |
| IN12   | <b>7</b>  | <b>41</b> | IN13   |
| IN14   | <b>8</b>  | <b>42</b> | IN15   |
| IN16   | <b>9</b>  | <b>43</b> | IN17   |
| IN18   | <b>10</b> | <b>44</b> | IN19   |
| IN20   | <b>11</b> | <b>45</b> | IN21   |
| IN22   | <b>12</b> | <b>46</b> | IN23   |
| IN24   | <b>13</b> | <b>47</b> | IN25   |
| IN26   | <b>14</b> | <b>48</b> | IN27   |
| IN28   | <b>15</b> | <b>49</b> | IN29   |
| IN30   | <b>16</b> | <b>50</b> | IN31   |
| OUT0   | <b>17</b> | <b>51</b> | OUT1   |
| OUT2   | <b>18</b> | <b>52</b> | OUT3   |
| OUT4   | <b>19</b> | <b>53</b> | OUT5   |
| OUT6   | <b>20</b> | <b>54</b> | OUT7   |
| OUT8   | <b>21</b> | <b>55</b> | OUT9   |
| OUT10  | <b>22</b> | <b>56</b> | OUT11  |
| OUT12  | <b>23</b> | <b>57</b> | OUT13  |
| OUT14  | <b>24</b> | <b>58</b> | OUT15  |
| OUT16  | <b>25</b> | <b>59</b> | OUT17  |
| OUT18  | <b>26</b> | <b>60</b> | OUT19  |
| OUT20  | <b>27</b> | <b>61</b> | OUT21  |
| OUT22  | <b>28</b> | <b>62</b> | OUT23  |
| OUT24  | <b>29</b> | <b>63</b> | OUT25  |
| OUT26  | <b>30</b> | <b>64</b> | OUT27  |
| OUT28  | <b>31</b> | <b>65</b> | OUT29  |
| OUT30  | <b>32</b> | <b>66</b> | OUT31  |
| +24Vin | <b>33</b> | <b>67</b> | +24Vin |
| +24Vin | <b>34</b> | <b>68</b> | +24Vin |

### Specifications

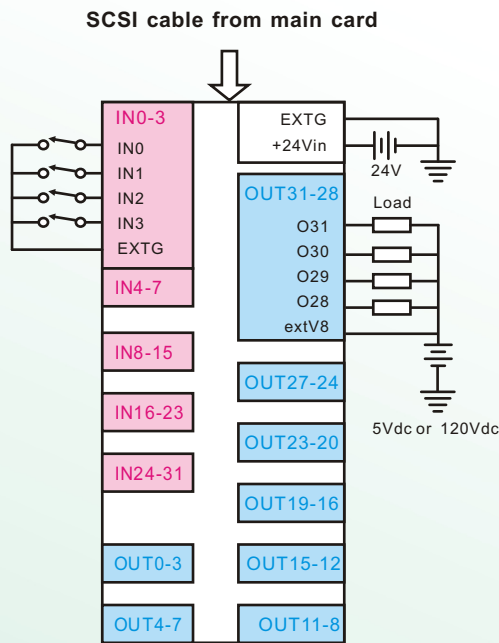
- ▶ External Supply : DC 24V  $\pm$  4V
- ▶ Input : 32 with LED indicator, 8 digit per group with Green LED at first digit
- ▶ Output:
  - DIO-3232DIN(N) : 32 N-MOS (Sink 1A @120Vdc) with LED indicator, 8 digit per group with Green LED at first digit
  - DIO-3232DIN(P) : 32 P-MOS (Source 1A @24Vdc) with LED indicator, 8 digit per group with Green LED at first digit
  - DIO-3232DIN(R) : 32 relays (3A @250Vac, 3A @30Vdc) with LED indicator, 8 digit per group with Green LED at first digit
- ▶ Power Indicator : Red LED
- ▶ Connector : One 68-pin SCSI-II female connector
- ▶ Operation Temperature : 0 to +70 degree C
- ▶ Operation Humidity : RH5~95%, non-condensing
- ▶ Dimension:
  - DIO-3232DIN(N) : 121(W)\*159(L)\*47(H)mm  
4.76(W)\*6.26(L)\*1.85(H)in
  - DIO-3232DIN(R)/(P) : 121(W)\*159(L)\*45(H)mm  
4.76(W)\*6.26(L)\*1.77(H)in

### Note

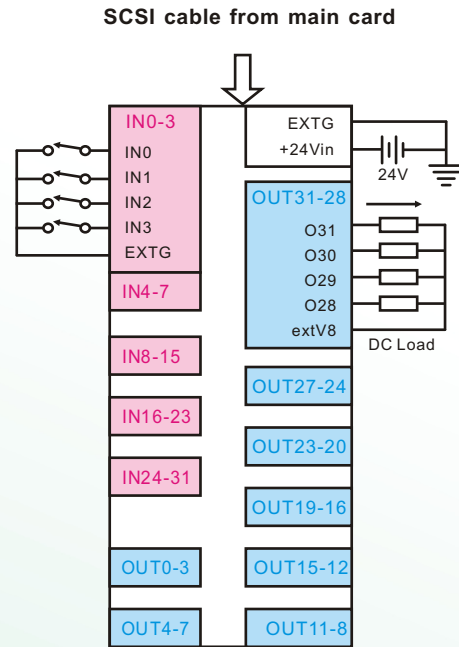


# Bridging the Gap between Real World and Computer

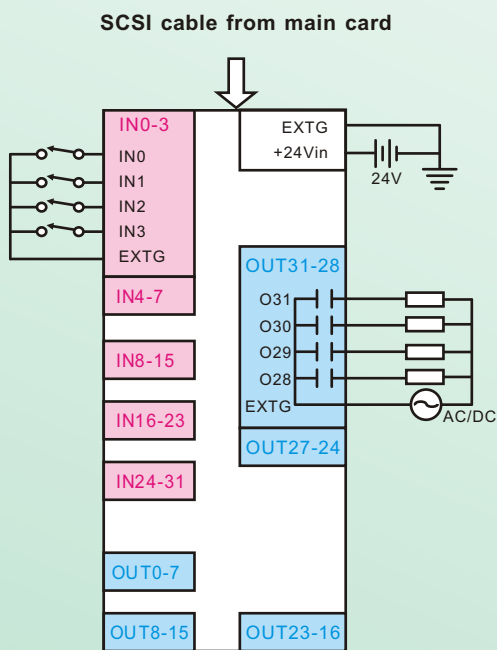
## Wiring Diagram



**DIO-3232  
DIN(N)**



**DIO-3232  
DIN(P)**



**DIO-3232  
DIN(R)**

**Note**